



Topfix[®] Max

Horizontal sunprotection with Fixscreen[®] technology for large surfaces

Topfix® Max

RENSON® Sunprotection-Screens introduces to you the Topfix® Max: the first horizontal sunprotection using the Fixscreen® technology that can cover extremely large surfaces. Its combination with the integrated tension system results in an exceptional fabric tension. Flapping and ruptured fabrics are a thing of the past.

This horizontal sunprotection prevents overheating in rooms with large light panels, skylights plus in conservatories. Complete blackout is possible by means of blackout fabrics whether used inside or outside – even up to 30 m².

Product

- Sunprotection with excellent fabric tension
- Windtight in any position
- Surfaces up to 30 m² can be covered
- Motor control
- Possible use of fabrics: Soltis®, Soltis® blackout and Rensonscreen®, Rensonscreen® Opaque
- Profiles available anodised or powdercoated in any RAL colour

Applications

- For all kinds of horizontal, vertical or inclined glazing: such as roof windows, light panels, conservatories, etc.
- For all window types: aluminium, wood, PVC
- For new buildings as well as renovation projects
- For private homes and public buildings: hospitals, care homes, offices, schools, etc.
- Top-bottom or bottom-top fitting
- Suitable for inside and outside use

Technical features

- Maximum dimensions: W 5000 x H 6000 mm
 - Aluminium box: W 260 x H 202 mm
 - Maximum surface: 30 m² in 1 part!
 - Inclination from 0° to 90°.
- For Horizontal installation:
- Soltis® fabric: a minimum slope of 5° is required
 - Soltis® blackout fabric: a min slope of 45° is required (applicable until Width of 4 m)
 - Rensonscreen®: a min slope of 5° is required (applicable until Width of 4 m)

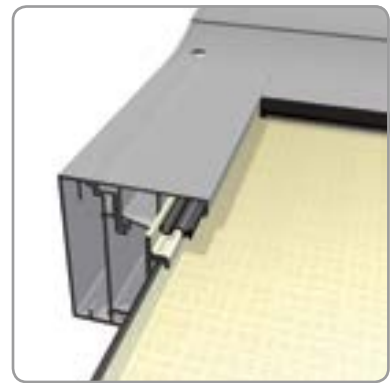
- Topfix Max F - **NEW!**

Can be integrated into open wooden, aluminium or steel structures.

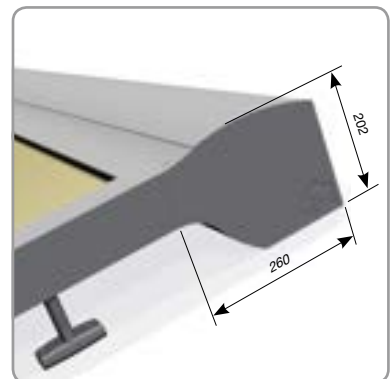


Topfix® Max

Topfix® Max F



Zijgeleider



Kast



Dealer



RENSON® reserves the right to make technical changes to the products shown. The most recent brochures can be downloaded from www.renson.eu

RENSON® Export Department • Tel. +32 (0)56 62 71 11 • export@renson.net
RENSON® Sunprotection-Screens NV • IZ 1 Flanders Field • Kalkhoevestraat 45 • B-8790 Waregem
Tel. +32 (0)56 62 65 00 • Fax +32 (0)56 62 65 09 • export@renson.net • www.renson.eu
RENSON® Fabrications LTD • Fairfax Units 1-5 • Bircholt Road • Parkwood Industrial Estate Maidstone • Kent
ME15 9SF • Tel. 01622/754123 • Fax 01622/689478 • Fax 01622/689479 • info@rensonuk.net • www.renson.eu

