

# SL 60e/s Installation Instruction

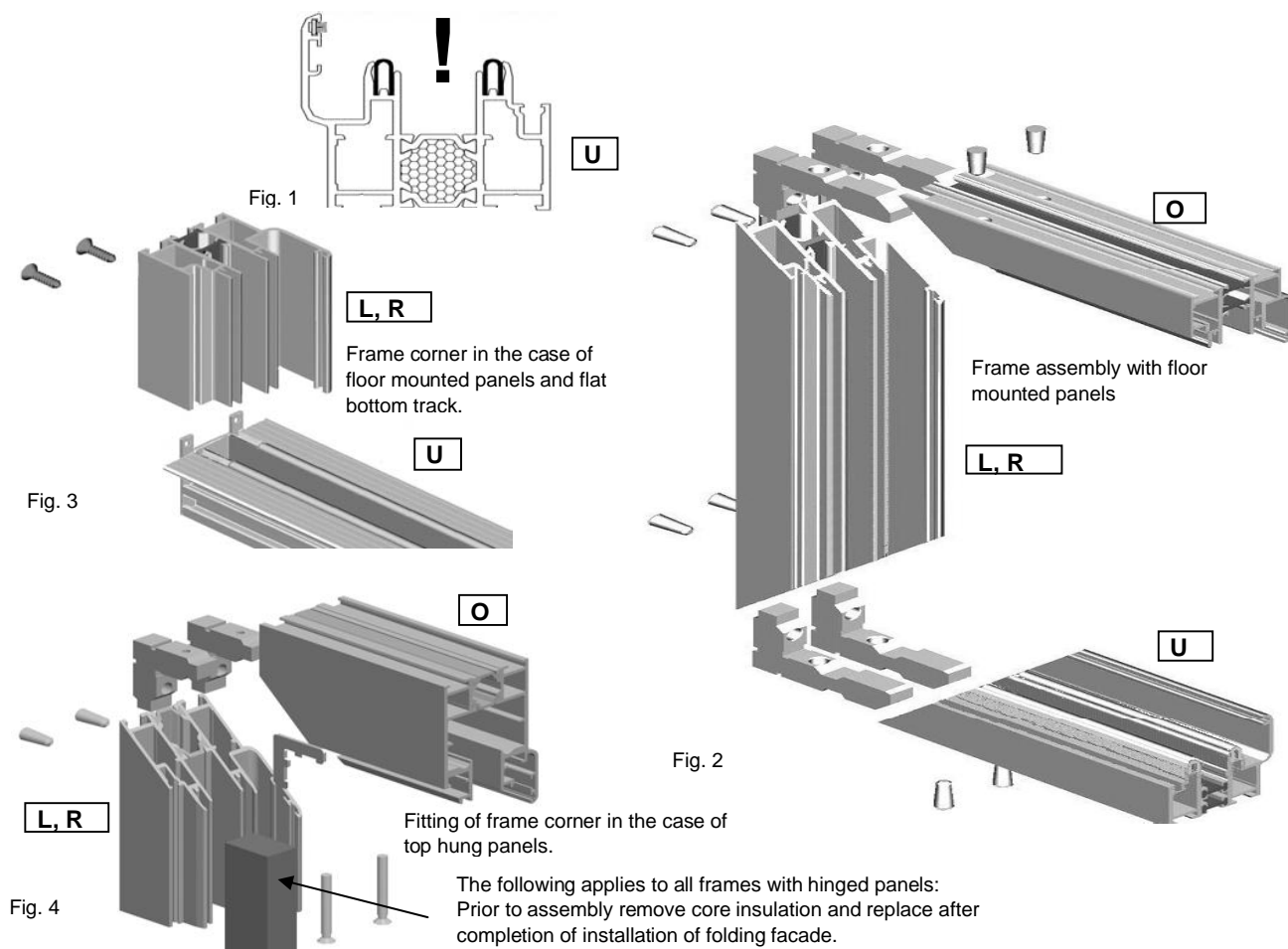


**The installation of this folding facade is to be carried out in the following sequence:**

- I. Installation of frame
- II. Panel installation and folding facade adjustment
- III. Fitting of panel catch
- IV. Performance check, handover, general notes

## **Important Notes to be read before installation work is started!**

1. If the folding facade has not been glazed yet, there are important rules specific to toeing and heeling to be observed (see page 4).
2. Correct seating of the stainless steel runner profile in the bottom track (U) must be observed (see Fig. 1).
3. The fixings used must not interfere with the functioning of the installation i.e. the runner assembly and guide rollers.
4. At the sides and at the top a gap of at least 10 mm should be left between the frame and the building fabric to compensate for later possible building settlement.
5. The panels are always numbered through from left to right, irrespective of the manner and direction of opening. The illustrations show a folding facade opening from the inside.



## **I. Frame installation**

1. Holes for the fixing of hardware have to be drilled into the frame profiles (U = bottom, L = left, R = right, O = top) depending on the building fabric and structural requirements (see also Notes on page 4).
2. Assemble frame according to Figs. 2, 3 and 4 ensuring that the following are permanently sealed with suitable sealant before and during assembly: butt end of profiles, openings left at the face of profile connectors, openings left at the face of profile connectors for reasons of design, and all installation holes for countersunk screws or taper pins. Note: If there are no drainage holes in the bottom track (U), please check whether such holes are required and drill them if necessary.
3. Place frame into the opening by observing inside and outside of frame and secure.
4. Fix frame horizontally and vertically. The installation must be permanently secured against twisting and deflection. This is of special importance in the area where the panels are to be stacked. Seal the fixing screws in the bottom track (U) permanently against penetration of dampness into the building fabric.
5. **Important!** Before the panels are installed the runner and guide tracks (O, U) are to be cleaned from drilling debris and other soiling.

## II. Panel installation and folding facade adjustment

### Fitting of panels

**Important!** 1) Before the panels are installed the runner and guide tracks (O, U) are to be cleaned from drilling debris and other soiling to prevent the runner gear from causing permanent damage.

1. In the case of top hung folding facades, first insert runner assemblies into the top runner track via the inspection slot (for position see project drawing).
2. Hang the panel which is hinged to the frame first and secure by partly knocking in the hinge pins provided (see Fig.1).
3. Install the adjoining panel and support by spacer, at the same time half opening both panels and partially knock in hinge pins. Close both panels and fasten (see Fig. 2).
4. Hang subsequent panel with runner assembly and guide roller retainer onto previous panel and secure by knocking in the hinge pins or fitting the screwed connection (in the case of top hung folding facades) (see Fig. 3).
5. Install all other panels according to direction of opening or order given on project drawing and in the same way as described under items 2 to 4.
6. Knock in hinge pins including knurling.

**Note:** Lubricate hinges during assembly with special lubricant provided.

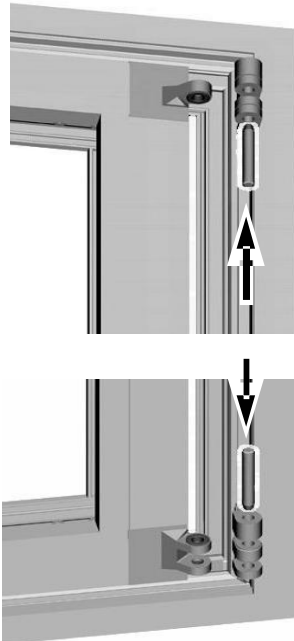


Fig. 1

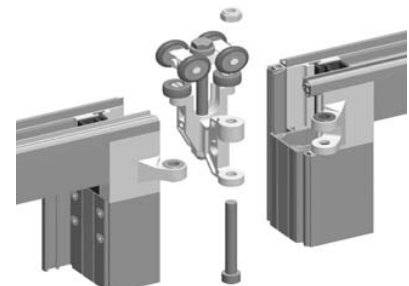


Fig. 4

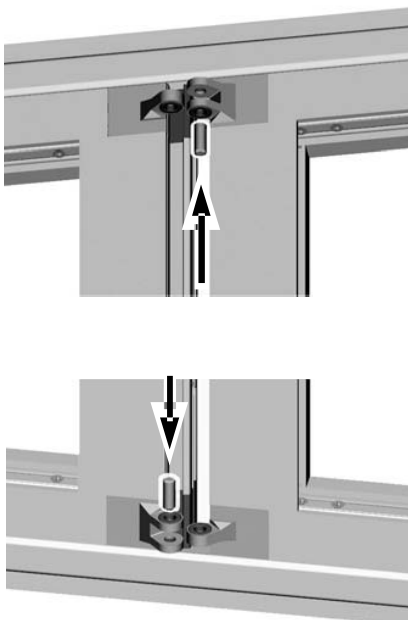


Fig. 2

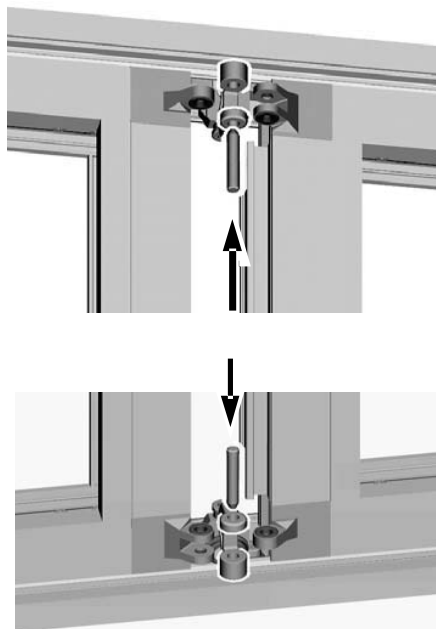


Fig. 3

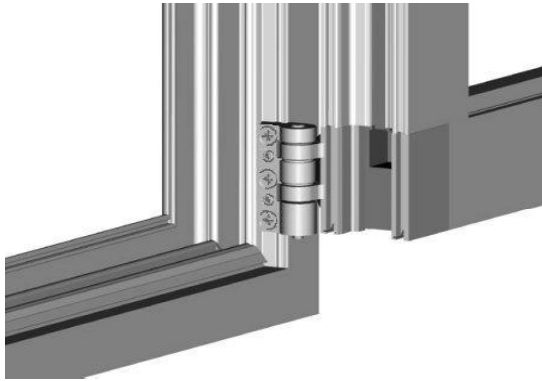


Bild 4

### Adjusting the folding facade

1. Fasten all panels.
2. Check dimensions of horizontal gap as follows:  
At the top and bottom there must a distance of 22 mm between the frame and the panel - if necessary re-toe and re-heel.  
In the case of top hung installations adjust runner assembly as necessary.
3. Check vertical gaps.  
Gap on panel hinged on frame side should be approximately 13 mm.  
Gap at swing panel overlap should be approximately 8 mm  
(on right-left slideable folding facades approx. 4 mm)

If necessary the gap at the frame hinge can be adjusted by +/- 3 mm (see Fig. 4). To do this, release grub screws (socket head) of frame hinges. Adjust the countersunk screws as necessary and use grub screws to secure adjusted position by tightening them.

### III. Fitting of panel catch

**In the case of a folding facade with swing panel it is essential to fit the panel catch provided to ensure proper functioning.**

The panel catch kit is accompanied by installation instructions.

### IV. Performance check, handover to end user, notes

1. The folding facade is unlocked at the opening panel by turning the handle by 180°.
2. If the folding facade is provided with a swing panel, the swing panel must be attached to the adjoining panel with the aid of the panel catch. If the folding facade is opened by a pair of panels, the panel pair is unfolded first.
3. Thereafter, all other panel pairs are to be opened and pushed to one side.
4. To close the folding facade, proceed in reverse order. In the case of a swing panel please note that it must not be released from the catch until all folding panels have been fastened.

In doing so check folding facade for proper functioning, smooth and easy operation.

**Explain to the client how to operate the folding facade correctly and give him the information sheet "Important Information and Operating Notes for End Users".**

### **!!! Important additional Notes !!!**

- It is essential to remove any debris that has dropped into the bottom rail before closing (danger of damaging runner gear)!

- **Cover surface of folding facade before plastering!**

- **Clean only with neutral general purpose cleaner.**

**Scouring agents, acids or harsh cleaners with solvents will damage the surface.**

- Lubricate all hinges regularly (approx. every 6 months) with the special lubricant provided.

# SL 60e/s Installation Instruction

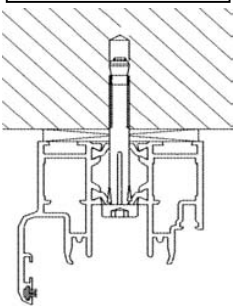
## Re. I. Frame installation Fixing to building fabric

- At the sides and at the top a gap of at least 10 mm should be left between the frame and the building fabric to compensate for later possible building settlement.
- All anchor points shall be fitted with load-bearing pads and mechanically fixed securely to the building.
- According to the current state of technology, in-situ foaming, use of adhesives and similar materials do not suffice.
- If dowels and screws are used, the manufacturer's instructions regarding wall materials, drilling depth, distance from the edge etc. are to be observed.
- For follow-on work including sealing, the fitted pads / blocks and fixing materials must not be in the way.

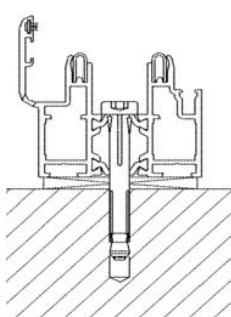
E = Distance from the inside edge of frame approx. 100 mm  
A = Anchor spacing generally max. 500 mm with the exception of top hung installations in the area of the panel stack

- **If elements are joined and extended in width on site, the sealing slot at the outside must be filled with silicone.**
- **Max. spacing of holes for joints 400 mm.**

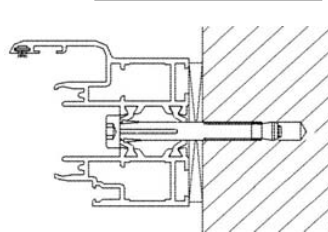
Fixing example  
top frame



Fixing example  
frame at bottom



Fixing example  
frame at side



### **Note on toeing and heeling for folding facades:**

- Apply the rules of the general glazing guidelines.
- Secure the setting and location blocks against shifting.

Specification subject to change